

SIRCO

Load break switches for power distribution
from 125 to 5000 A

Terminal screens

Use

Top and bottom protection against direct contact with terminals or connection parts.



access_079_a_1_cat

For 3/4 poles

Rating (A) SIRCO	Rating (A) SIRCO AC	No. of poles	Position	Reference
125 ... 160		3 P	top or bottom	2698 3012
125 ... 160		4 P	top or bottom	2698 4012
200 ... 250	200 ... 315	3 P	top or bottom	2698 3020
200 ... 250	200 ... 315	4 P	top or bottom	2698 4020
315 ... 630	400 ... CD 630	3 P	top or bottom	2698 3050
315 ... 630	400 ... CD 630	4 P	top or bottom	2698 4050
800 ... CD 1250	630 ... CD 1250	3 P	top or bottom	2698 3080
800 ... CD 1250	630 ... CD 1250	4 P	top or bottom	2698 4080
1250 ... 1800	1250 ... 1600	3 P	top or bottom	2698 3120
1250 ... 1800	1250 ... 1600	4 P	top or bottom	2698 4120
2000 ... 3200	2000	3 P	top or bottom	2698 3200
2000 ... 3200	2000	4 P	top or bottom	2698 4200
4000 ... 5000	4000	3/4 P	top or bottom	1509 4200

For 6/8 pole SIRCO

Rating (A)	No. of poles	Position	Reference
125 ... 160	6 P	top or bottom	1509 3012
125 ... 160	8 P	top or bottom	1509 4012
250	6 P	top or bottom	1509 3025
250	8 P	top or bottom	1509 4025
400 ... 630	6 P	top and bottom	1509 3063
400 ... 630	8 P	top and bottom	1509 4063
800 ... 1250	6 P	top and bottom	1509 3080
800 ... 1250	8 P	top and bottom	1509 4080
1600	6 P	top and bottom	1509 3160
1600	8 P	top and bottom	1509 4160

Cage terminals

Use

They enable a direct terminal-free connection to rigid copper and aluminium conductors with integration under the IP2X protective cover.

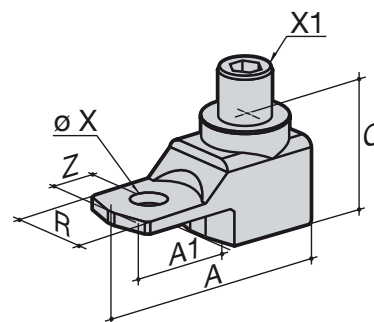
Material: tin-plated aluminium.

Dimensions

Rating (A)	A	A1	C	E	R	T	ØX	X1	Z
125 ... 160	47.5	22.5	25	12	20	3.5	8.5	M12	10
200 ... 250	62	31.5	31.5	16.5	25	2.5	10.5	M16	14
315 ... 400	71.5	32	38	9	32	5	10.5	M20	15
500 ... 630	76.5	37	38	9	40	5	12.5	M20	15

References

Rating (A)	Tightening capacity (mm ²)	No. of poles	Tightening torque (Nm)	Width of flexible bar (mm)	Reference
125 ... 160	16 ... 95	3 P	14	13	5400 3016
125 ... 160	16 ... 95	4 P	14	13	5400 4016
200 ... 250	16 ... 185	3 P	25	18	5400 3025
200 ... 250	16 ... 185	4 P	25	18	5400 4025
315 ... 400	50 ... 240	3 P	45	20	5400 3040
315 ... 400	50 ... 240	4 P	45	20	5400 4040
500 ... 630	70 ... 300	3 P	45	24	5400 3063
500 ... 630	70 ... 300	4 P	45	24	5400 4063



born_019_a_1_x_cat